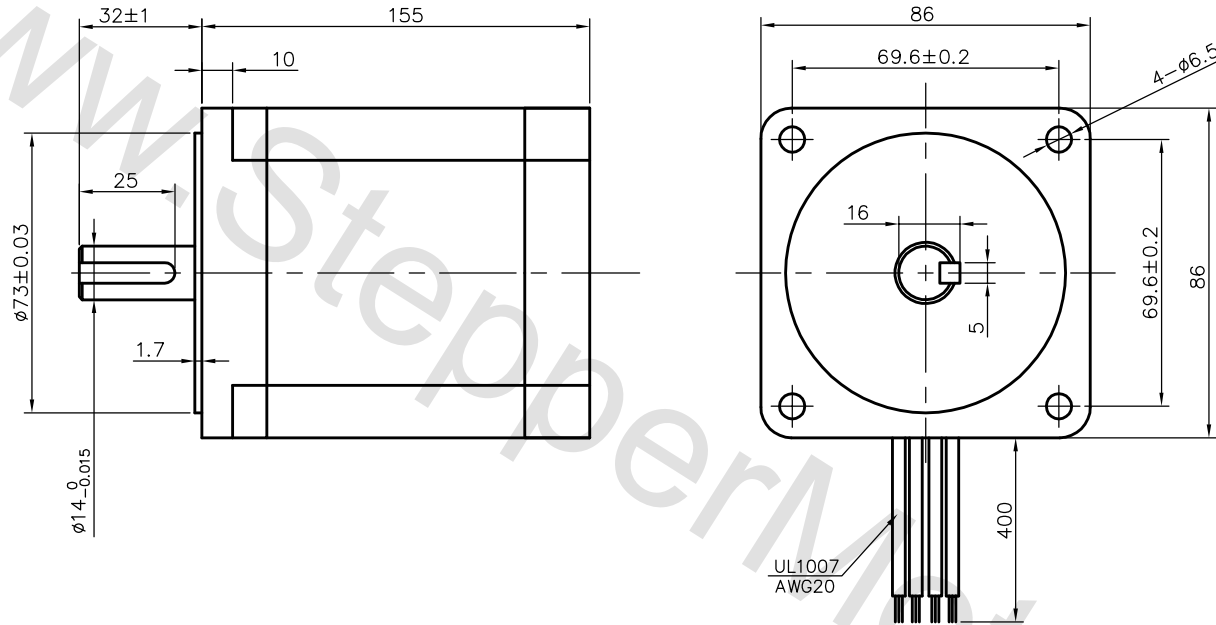
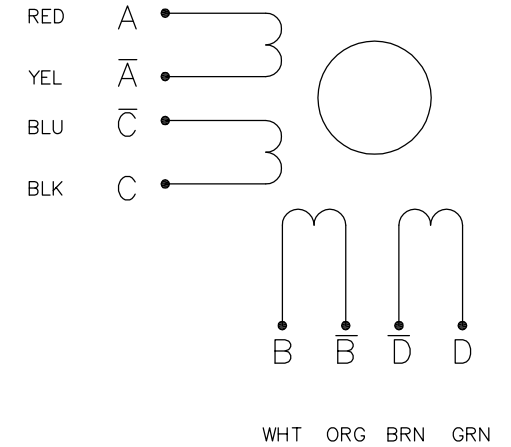


Dimension:
Unit=mm



Wiring Diagram:



Model could be "D"-shaft option



Specifications:

Phase	4			
Step Angle	1.8			deg.
	PARALLEL	UNIPOLAR	SERIES	
Voltage	3.67	5.25	7.35	V
Current	5.88	4.2	2.94	A
Resistance	0.625	1.25	2.5	Ω
Inductance	8	8	32	mH
Holding Torque	12.2	8.5	12.2	N.m
Insulation Class	B			
Mass	5.3			kg

					Title: www.steppermotorcanada.ca		
					Specification		
REV.	QTY.	No.	SIG.	DATE	CLS.MAK	WEIGHT	SCALE
DESIGN			STD.		86HS155-4208		
CHECK							
PROC.			APPR.		PAGE:	OF	PAGES