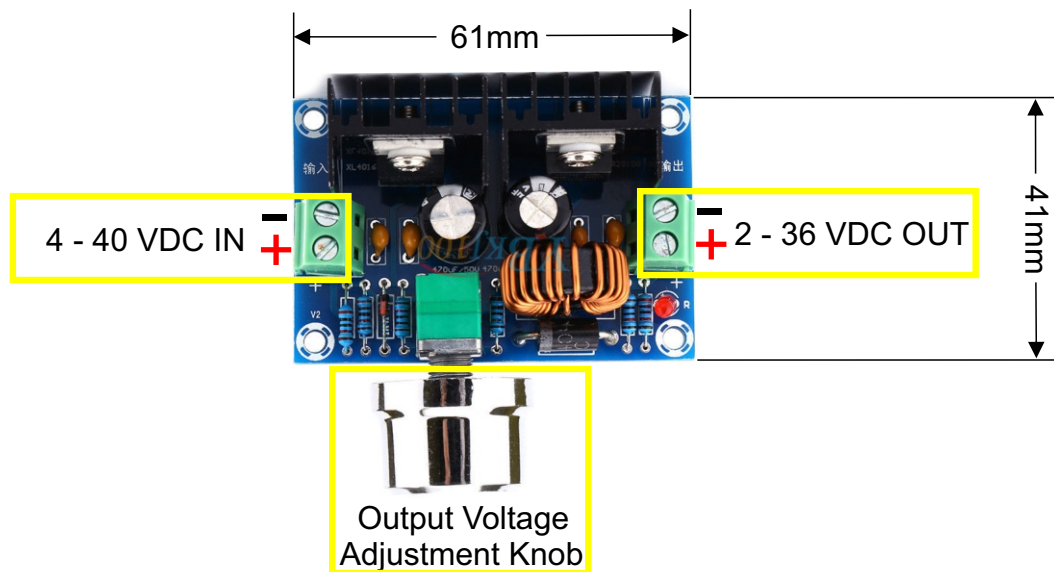


DC-DC Buck Converter 4V-40V 1.2V-36V 7A 180W

Step-Down Voltage Power Module HH



Specification:

Product name: DC step-down module Converter

Voltage regulating mode: PWM modulation

Input voltage: DC4-40V

Output voltage: DC2-36V

Max output current: 7A (fan forced cooling over heat sink if more than 4A)

Max power: 180W

Conversion efficiency: 94%

Switching frequency: 180KHZ

Dimensions: 61*41*27mm

Chip: switching regulator Regulating chip XL4016 with

Over current protection,

Over temperature protection.

Short circuit protection.

Panel Mounting:

1. Drill holes in the Panel - 7mm
2. Extended potentiometer handle
3. Lock screw sleeve upper knob